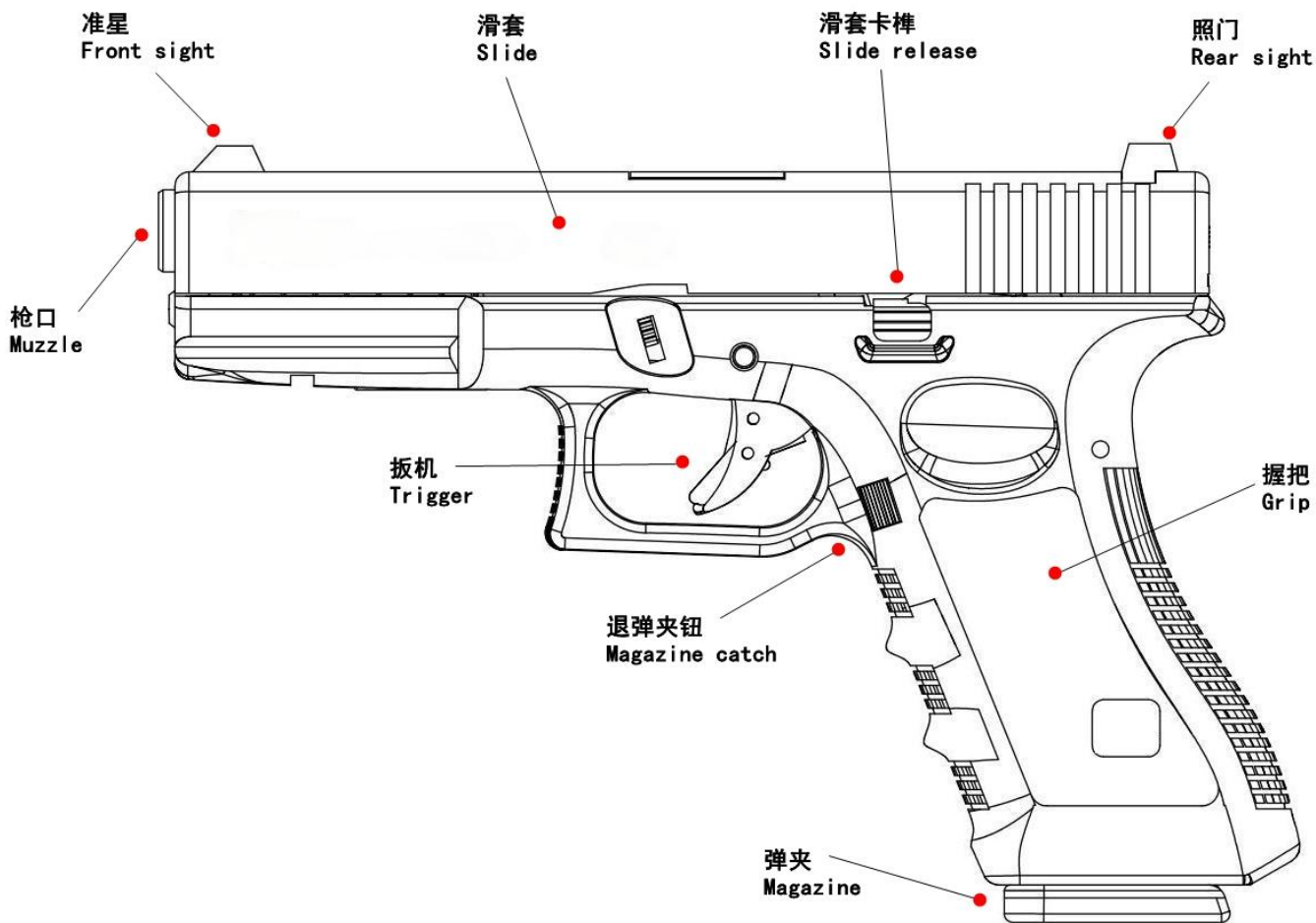




# G Series Manual



## 1- 各部名称 NAME OF PARTS



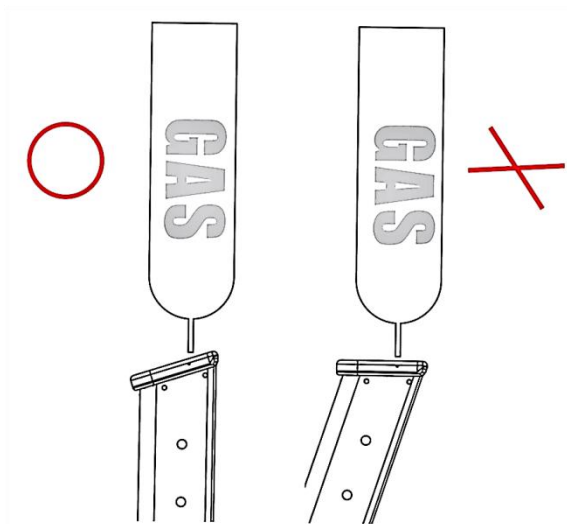
## 2- 瓦斯注入方式 GAS INJECTION

### ★瓦斯注入

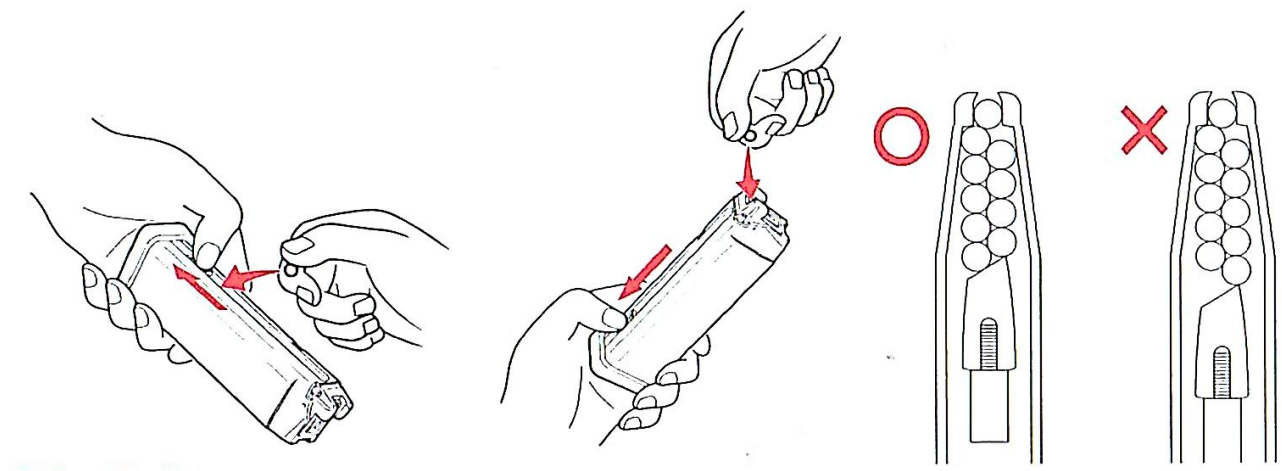
填充气体务必垂直

### ▲Gas injection

To refill the gas with the gas container  
in vertical position.



### 3- 弹夹装填 MAGAZINE LODING



#### ★BB 弹装填

装填 BB 弹 6mm

#### ▲Loading BB bullet

Loading BB bullet in the magazine, 6mm

★请依照图示之排列方式装填 BB 弹

▲Please follow the illustrative sequences to load the BB bullets.

★请勿使用超过 6mm, 表面不平整, 或使用过的 BB 弹

▲Please do not use the BB bullets that are over 6mm, rough on surface or have been used

### 4- 上弹夹 LOADING & RELEASING THE MAGAZINE

#### ★弹夹入退要点

入弹夹时推到底如听” 答” 一声即到定位, 压下弹夹卡榫,弹夹即会脱离

**注意: 务必 用手托住弹夹, 以免造成掉落破损**

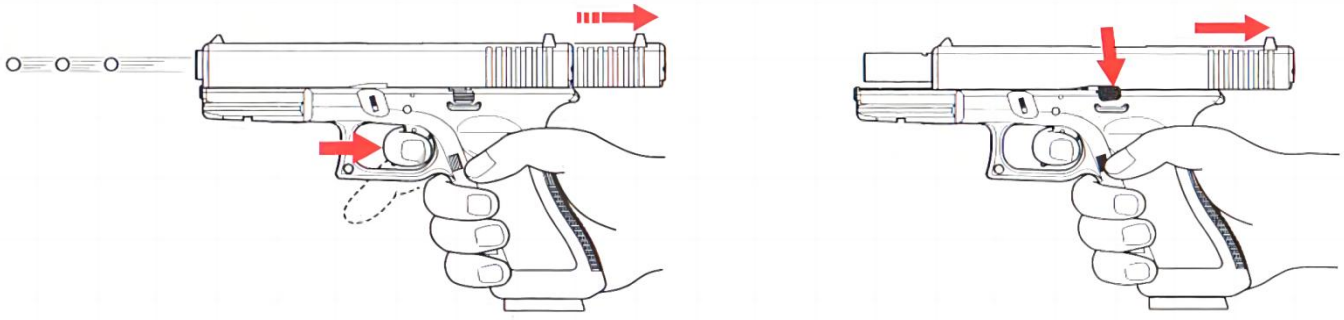
#### ▲Load and release the magazine

While loading the magazine, push it inward to the bottom till a tick' sound is heard.

Press the magazine release catch, the magazine will fall off from the stock.

Attention: use hand to receive the magazine to prevent it from falling down to the ground.

## 5- 射击 SHOOTING



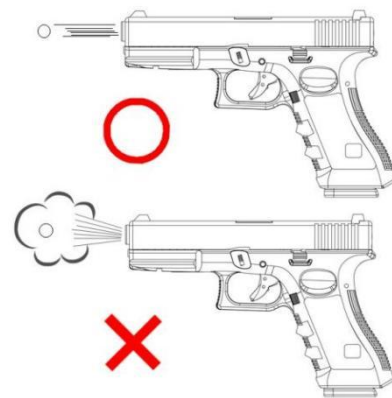
★初次装填弹擎发时需先将滑套后拉使其 BB 弹上膛，扣扳机即可发射

BB 弹发射完毕,滑套定位于后方此为无子弹之状态,如欲继续射擊填  
充子弹后下按滑套保险后上膛

▲When the slide is pulled back and released forward, the bullet is load-ed in the firing chamber, press the trigger to fire the loaded bullet. After the last BB bullet is fired,the slide will be retained in the back position,it means an empty magazine condition. If you want to resume the firing,insert a new fully loaded magazine,press the slide stop to release the slide and to reload the bullet.

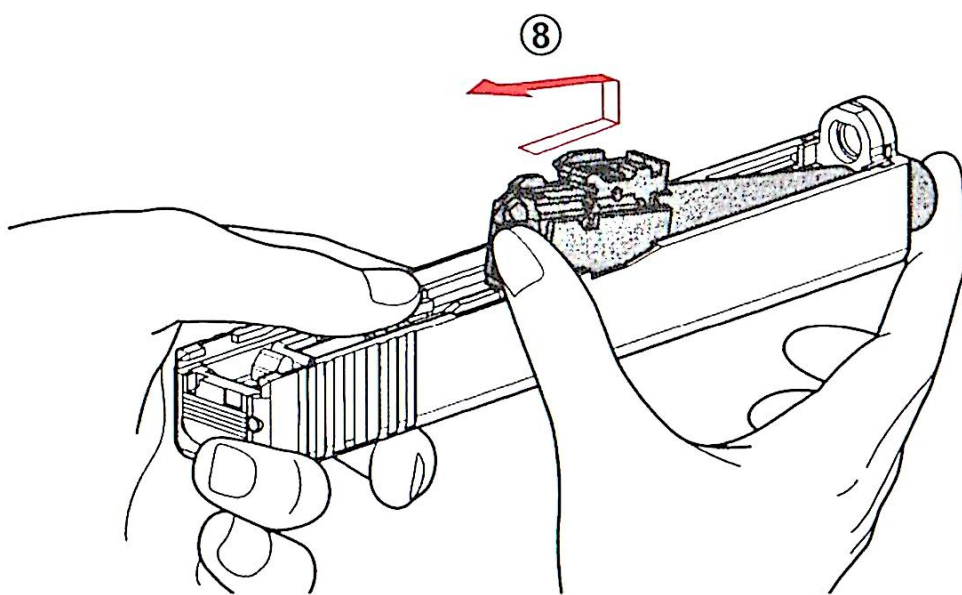
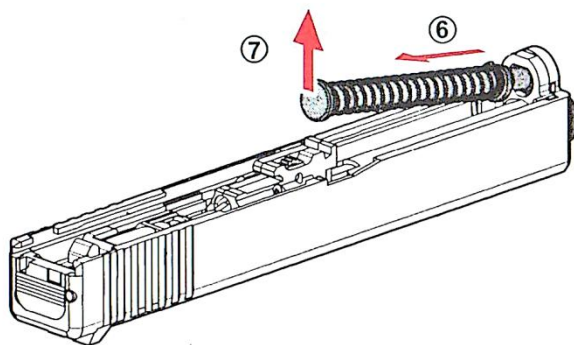
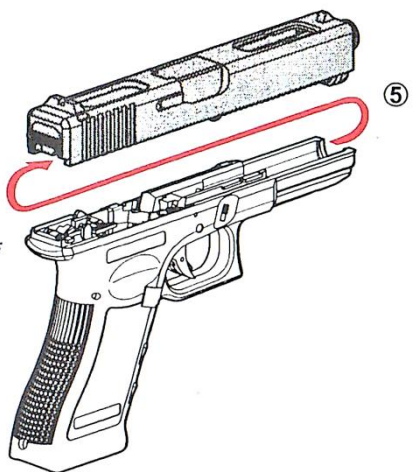
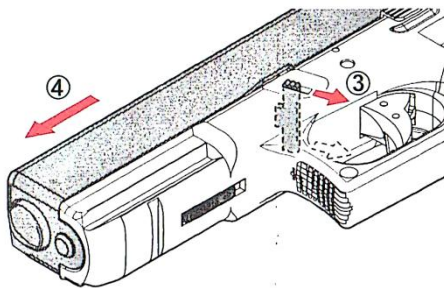
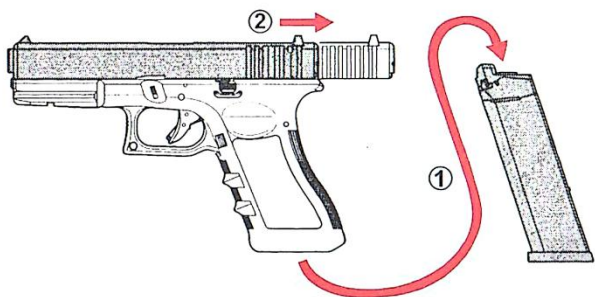
## 6- 射击过程 SHOOTING PROCESS

★长时间连续发射容易使弹匣过于低  
温，影响气体压力及子弹初速，此为正  
常现象非故障所致擎发时请勿倒转擎发  
此动作无法使氯体挥发产生雾 氯喷出  
容易薄致零件耗损

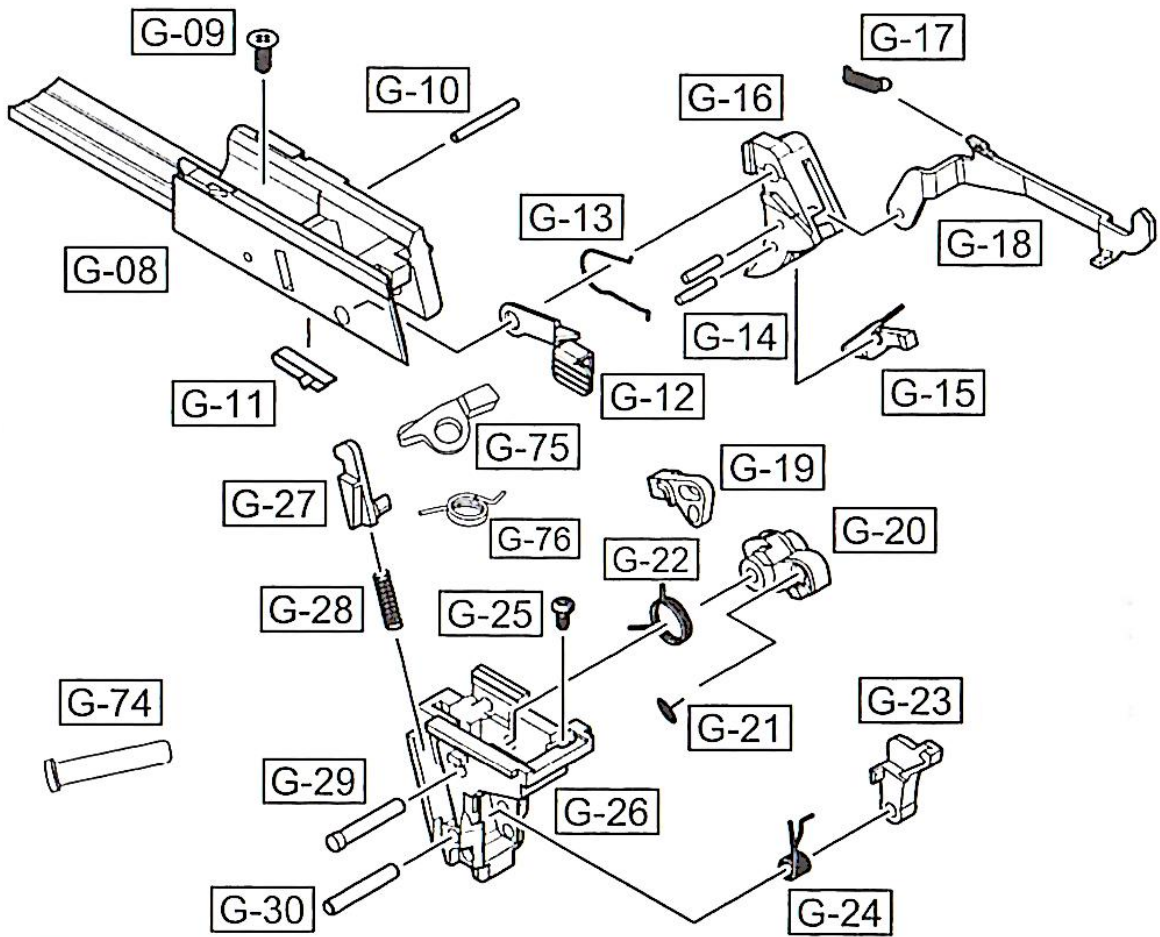
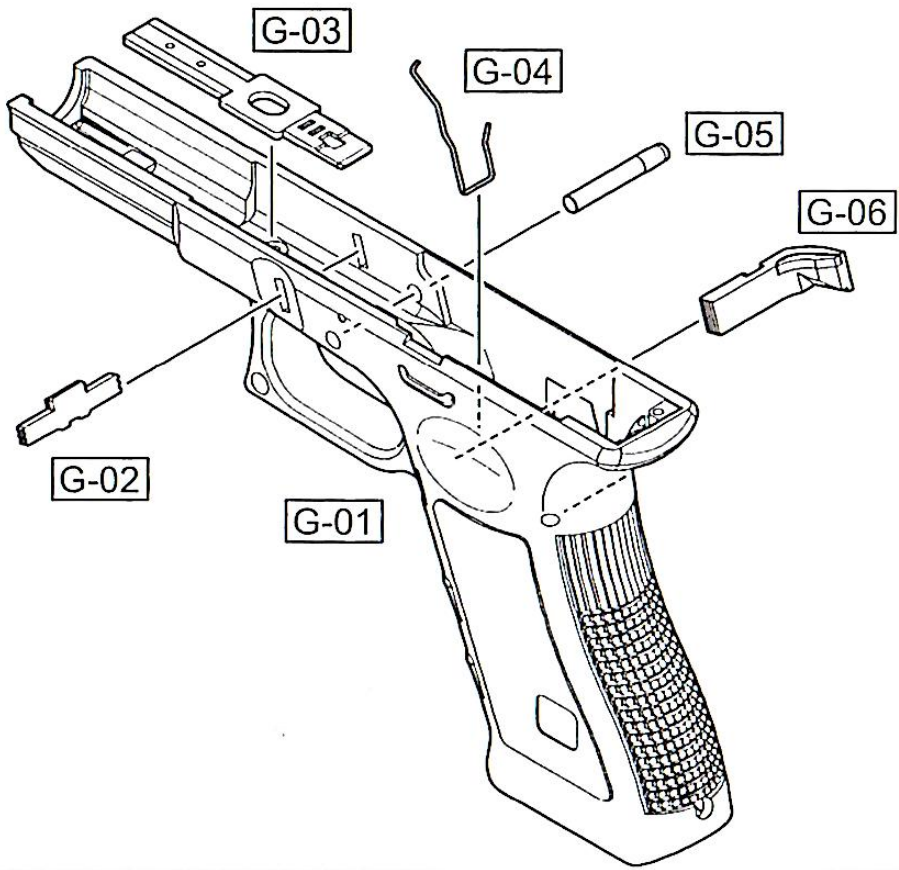


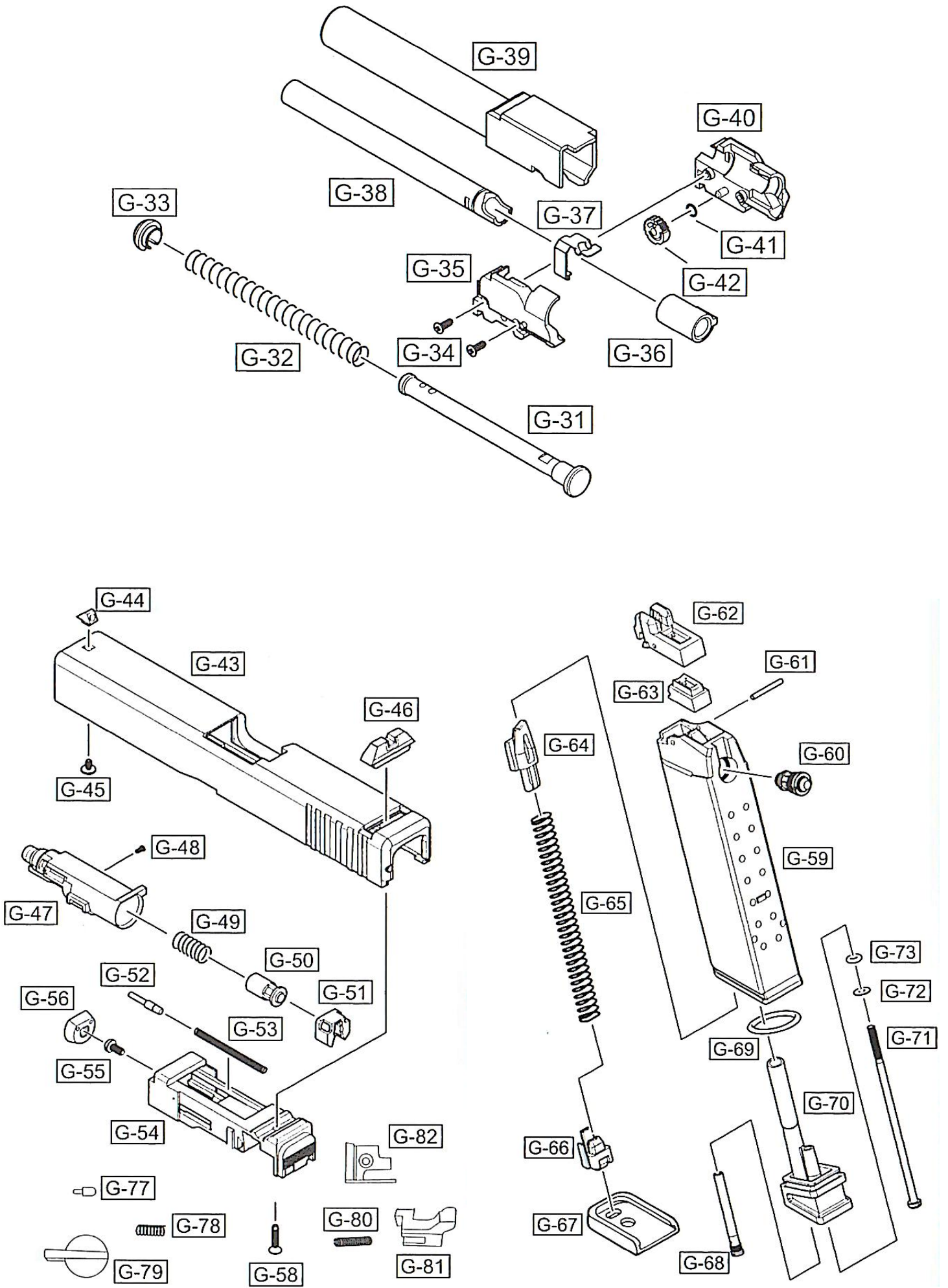
▲After a long and continued firing practice, the low temperature of the magazine will cause a reduced gas pressure as well as the low velocity of bullet. It is a normal condition, not a trouble. Never practice the reverse firing for this action renders the gas hardness to volatilize and to produce the atomized gas of ejection which leads the damaged to the parts.

# 7- 分解 DISASSEMBLY



8- 爆炸图 EXPLOSION





## ※警告 Caution!

限使用 12kg 瓦斯  
(R22 /Green gas)

请勿接近火源  
(Never place it near fire)

严禁存放于高温环境  
( Never store the Magazine above 40C )

请勿烈日曝晒  
(Never place it directly under sunshine)

★ 射击时最好戴护目镜

▲ Be sure to wear shooting glasses or Goggle when shooting .

★ 不用时要把枪置于高处 (小孩拿不到的高处)

▲ Put the gun beyond the reach of kids.

★ 不可用眼睛探视枪

▲ Don't peep at the muzzle.

★ 不可朝人射击

▲ Don't aim at people even if it is unloaded.

★ 射击的瞬间,才可以把手指接近扳机击扣

▲ Don't touch the trigger until the moment of shooting.

★ 确定射击的方向均安全后才可以射击

▲ After making sure that there is nobody nearby .

★ 避免粗鲁的动作,发生危险

▲ Avoid a rough operation.

★ 不使用时,应将弹匣取出,并取下子弹

▲ When the gun is not in use, remove the magazine and unload BB pellets.